

IMPORTANT
READ THIS MANUAL CAREFULLY BEFORE
INSTALLING, OPERATING OR SERVICING
THIS EQUIPMENT

ORDER #: _____
 MODEL #: _____
 SERIAL #: _____

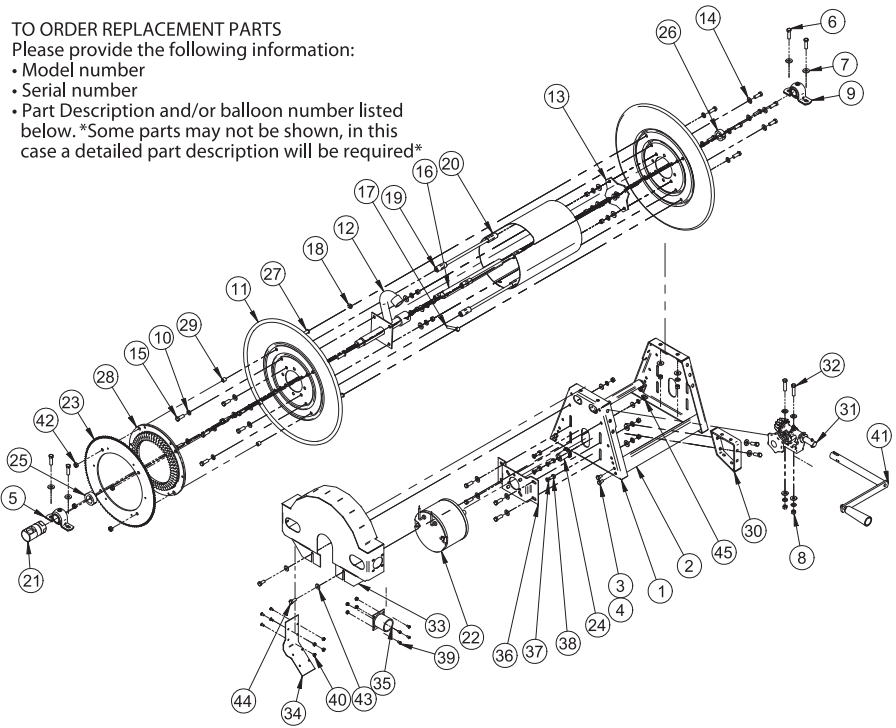
PERSONAL SAFETY

Personal injury and/or equipment damage may result if proper safety precautions are not observed.

WARNING: Even low pressure can cause irreparable damage or death. exercise extreme caution while operating or servicing this equipment.

Item Number	Title	Quantity			
1	SIDE FRAME	2	23	SPROCKET	1
2	CROSS BRACE	2	24	GEAR MOTOR	1
3	S347-51 HEX CAP SCREW	8	25	COLLAR, LOCKING	1
4	S73-5 HEX FLANG NUT	8	26	COLLAR, LOCKING	1
5	PILLOW BLOCK ASSEMBLY	1	27	S369-158 SCREW, CAP 3/8-16 X 1.25" LG	4
6	S347-66 HEX CAP SCREW 3/8"-16 UNC X 1.25"	4	28	GEAR, BEVEL	1
7	S350-6 WASHER 3/8"	24	29	390030-1 SPACER 3/8" X 7/16" LG	4
8	S338-6 HEX NUT 3/8"-16 UNC	20	30	BRACKET PINION GEAR	1
9	PILLOW BLOCK ASSY	1	31	HANDWIND ASSY OFFSET	1
10	S339-616 LOCK WASHER 3/8"	28	32	S347-67 HEX CAP SCREW 3/8"-16 UNC X 1.5"	2
11	HEAD	2	33	CHAIN GUARD	1
12	FLUID PATH ASSY	1	34	GUARD BOTTOM	1
13	390610-35 HEAD INSERT	1	35	PINION SHAFT COVER	1
14	S350-41 WASHER SMALL 3/8"	16	36	BRACKET MOTOR	1
15	S347-65 HEX CAP SCREW 3/8"-16 UNC X 1"	22	37	S339-516 LOCK WASHER 5/16"	6
16	SUPPORT SHAFT	1	38	S347-52 HEX CAP SCREW	4
17	S376-59 HEX CAP SCREW (5/16"-18 X 2)	1	39	300001 MACHINE SCREW 10/32 X 3/8 SC HD	8
18	S97-6 HEX NUT NYLOC	1	40	300011 NUT HEX LOCK 10/32	8
19	TIE ROD	4	41	CRANK AND HANDLE ASSY	1
20	DRUM	1	42	S348-8 NUT NYLOC HEX 3/8"	4
21	SWIVEL ASSEMBLY	1	43	S108-4 WASHER	4
22	MOTOR	1	44	S347-53 HEX CAP SCREW 5/16"-18 X 3/4"	2
			45	S338-5 HEX NUT	2

TO ORDER REPLACEMENT PARTS
 Please provide the following information:
 • Model number
 • Serial number
 • Part Description and/or balloon number listed below. *Some parts may not be shown, in this case a detailed part description will be required*



Hose Reel Operations Manual

WARNINGS & TIPS

Prevent Static Sparking

Pull hose by grasping the hose itself not by the control valve swivel.

When working around flammable liquids such as solvents, paints, chemicals or petroleum products, ensure that the hose reel and the equipment being serviced is properly grounded. Use a grounding hose (static wire).

Use an ohmmeter to check continuity of the grounding circuit. Fire and/or explosion can result if proper grounding is not achieved.

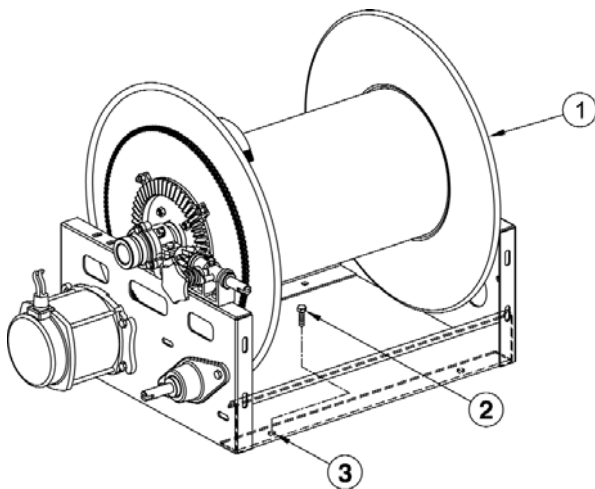
If reel is electric, air or hydraulic driven, be careful of chain / sprocket drive system. Keep hands clear and do not wear loose fitting clothing while operating reel.

If reel ceases to unwind or rewind properly, remove power immediately. Do not pull or jerk on hose. Find and remedy problem before continuing.

PRE-INSPECTION

1. Check reel for shipping damages.
2. Insured all parts are supplied as ordered.
3. Record Model Number & Serial Number for future reference.

MOUNTING

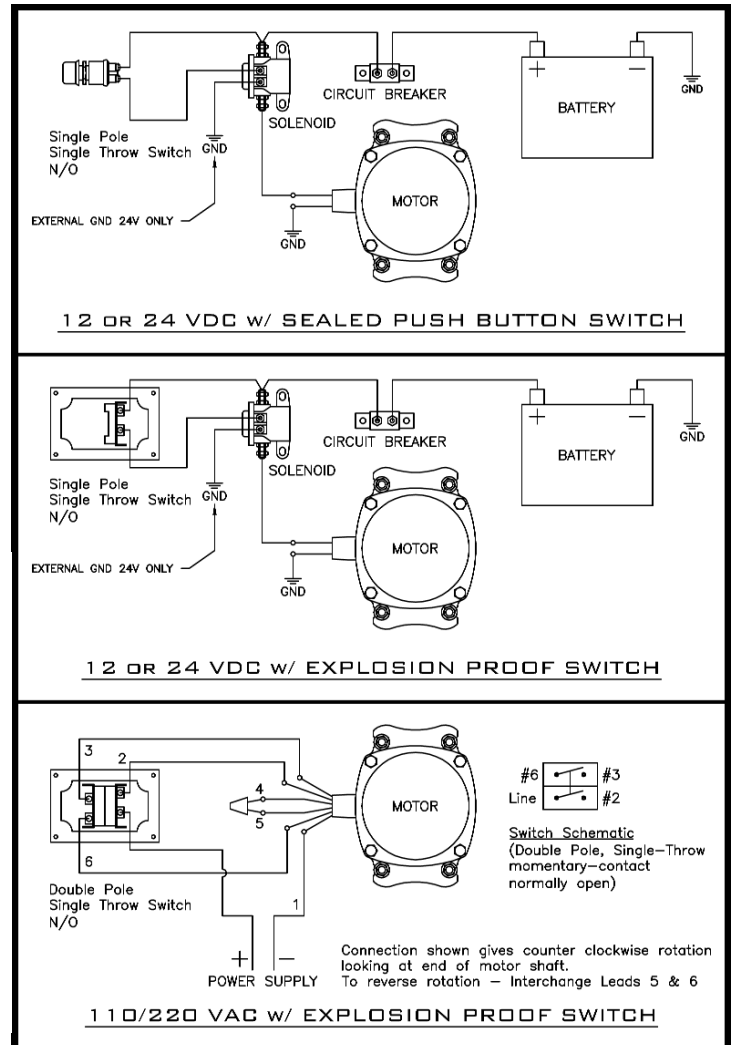


1. Unpack and inspect reel - rotating spool (1) to check for smooth operation.
2. Ensure that mounting surface is rigid and flat to prevent binding of reel after it is installed. This is important to ensure proper alignment.
3. Drill four mounting holes in reel frame. Secure reel to mounting surface by inserting four bolts (2) through the four mounting holes (3) just drill in the reel frame. Tighten securely to ensure solid, rigid attachment.

Electric Driven Reels

WARNING: Remove all electrical power when wiring. DO NOT "HOT WIRE". Observe all applicable NEC, OSHA, and local codes.

NOTE: It is not proper to connect either power lead to any part of the motor, or to any part attached to the motor, such as the terminal box, as that would make the motor an integral part of the electrical power circuit.



1. Ensure that all supply and motor electrical ratings are compatible.
2. Wire power to the motor following applicable wiring dia gram.
3. Switch reel on to insure proper wiring procedures were followed. check alignment of heads, motor, chain and sprocket while the hose reel turns.

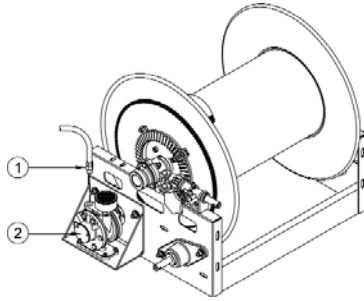
Hose Reel Operations Manual

PERSONAL SAFETY

- Ensure that reel is properly installed before connecting supply line (see instructions).
- Before connecting supply line to reel, ensure that supplyline pressure does not exceed maximum rated working pres sure of reel.
- Do not wear loose fi tting clothing while operating reel.
- Be aware of other personnel / machinery in work area.
- If a leak occurs in hose or reel, remove supply line pressure immediately.
- If reel is electric driven, check for loose, frayed and broken wires before operating.
- Treat and respect a hose reel as any other piece of Machinery, observing all common safety practices.

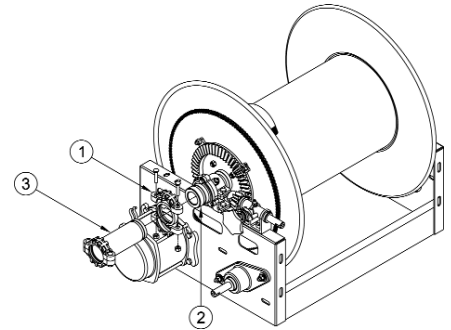
Air Driven Reels

1. Apply thread compound to inlet air line fitting (1) and pneumatic motor (2) inlet threads
2. Connect inlet air line (1) to motor (2).

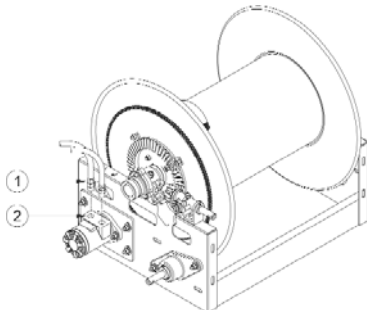


VICTAULIC INLET SWIVELS

NOTE: Victaulic - Type swivel joint inlet connections must be carefully aligned. Two victaulic connections, correctly installed, allow adequate flexibility for smooth rotation.



1. Connect victaulic coupling onto inlet swivel fitting and inlet supply line
2. Adjust inlet supply line to verify flexibility exists for proper alignment.
3. With control valve open, fully extend and charge hose to purge system of gases. When fluid appears at control valve, close valve. This prevents flattening of hose and excessive presure on drum when fluid supply is reinitialized at a later time.



Hydraulic Driven Reels

1. Apply thread compound inlet / outlet hydraulic line fittings (1) and hydraulic motor inlet threads (2).
2. Thread hydraulic line fittings (1) into motor inlet / outlet (2) tighten securely.

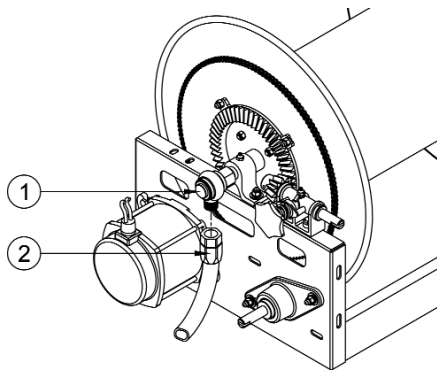
INLET CONNECTION

NOTE: Install a union fitting as near as possible to the swivel joint inlet, so the joint can be easily removed for servicing.

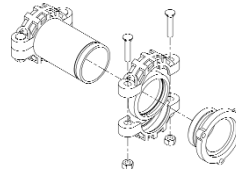
CONNECTING THE SUPPLY LINE FOR THREADED INLET SWIVELS

NOTE: Avoid strain on swing joint at all times. Threaded type swivel inlets must be connected to the fluid supply by using a flexible connector.

1. Apply thread compound to the swivel (1) and connecting hose fitting (2) threads.
2. Thread connecting hose fi tting (2) into swivel (1). Tighten securely.
3. With control valve open, fully extend and charge hose to purge system of gases. When fluid appears at control valve, close valve. This prevents flattening of hose and excessive pressure on drum when fluid supply is reinitialized at a later time.



VICTAULIC Connection



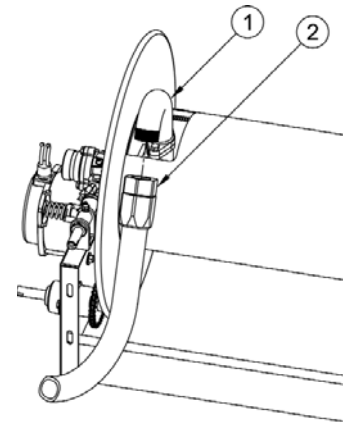
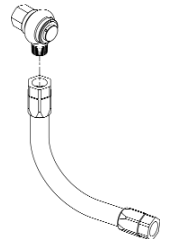
For larger reels, gooseneck may be removed from reel to fit to hose. Note that if the reel has a welded or threaded riser in the fluid path assembly, it cannot be removed to attach the hose.

CAUTION: Do not connect the output hose to the gooseneck (1) until after the reel is installed and motor connections are complete. Fill the hose before winding on the reel to prevent excessive pressure on the drum when hose is filled.

1. Apply thread compound to connecting gooseneck (1) and output hose fitting threads (2).
2. Hand thread output hose fi tting (2) into gooseneck (1).
3. Using a wrench, fi rmly hold gooseneck (1) while tightening out put hose fitting (2).

FLEXIBLE Connection

NOTE: Failure to use flexible connector with any live reel will void warranty

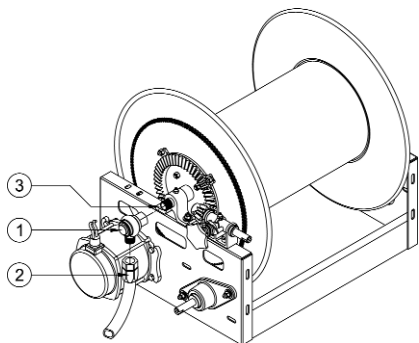


Hose Reel Operations Manual

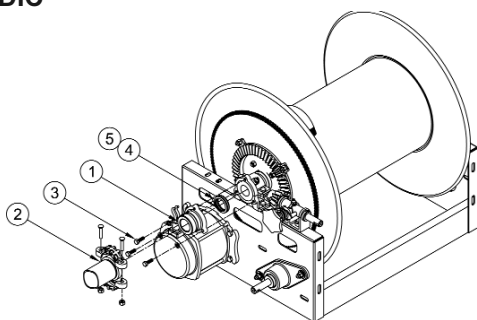
REPLACING THE SWIVEL

CAUTION: Remove supply line pressure before performing the following procedures.

1. Remove supply line (2) from the swivel (1) or inlet.
2. Remove swivel (1) from inlet shaft (3).
3. Install replacement swivel by reversing steps 1 & 2



REPLACING "U" CUP SEALS ON NORDIC SWIVELS



NOTE: For special swivels such as food grade, Catherine style reels, and special purpose swivels, see attached exploded drawing and parts list for special instructions for swivel repair / replacement.

1. Remove supply line (3) from inlet adaptor (1).
2. Remove all three bolts (2).
3. Pull seal from recess inside of inlet adaptor.
4. Examine new seal (5) and ring (4) to check for damage.
5. Moisten face of seal with lubricant and replace into inlet adaptor (1).
6. Bolt adaptor back in place and re-install supply line.

LIMITED ONE YEAR WARRANTY

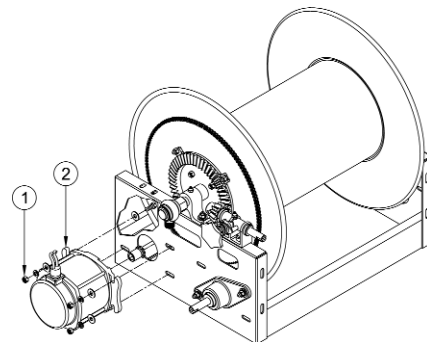
Reelcraft affirms its product confidence with the following Warranty:

All products manufactured by Reelcraft Industries, Inc. are warranted to be free of defects in material and workmanship for twelve (12) months from the date of shipment. Reelcraft's liability shall be limited to repair or replacement of defective material within the warranty period when returned, freight prepaid, to its plant or to a service depot designated by Reelcraft. The warranty does not cover damage caused by accident, abuse or faulty installation. Reelcraft products must be installed and maintained in compliance with the manual of instructions furnished with each reel.

REPLACING THE MOTOR

CAUTION: Before replacing the motor, remove electrical power and fluid pressure from reel.

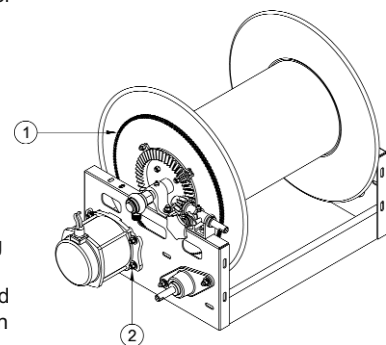
1. Loosen (do not remove) bolts (1) securing motor (2) to reel.
2. Slide motor and remove chain.
3. Remove bolts securing motor.
4. Install replacement motor.



REPLACING THE CHAIN

CAUTION: Before replacing the motor, remove electrical power and fluid pressure from reel.

1. Loosen (do not remove) bolts securing motor (2) to reel.
2. Remove chain master-link.
3. Install replacement chain (1).
4. Adjust chain tension by moving motor until properly obtained. Over tensioning results in reduced motor life. Adjust to allow between 1/4" and 1/2" play in chain.



HOW TO ORDER REPLACEMENT PARTS

Please provide the following information:

- Model number
- Serial number
- Part Description and balloon number on the front page of this manual.