

High Capacity Cable Reels Nordic Series CR2400/CR3100/CR4800 for 3-conductor service



Nordic
Series CR3100

Series CR2400 - Direct crank rewind or chain and sprocket drive powered by A.C. or D.C. electric motor or compressed air motor. An adjustable spring drag device is used to brake the reel.

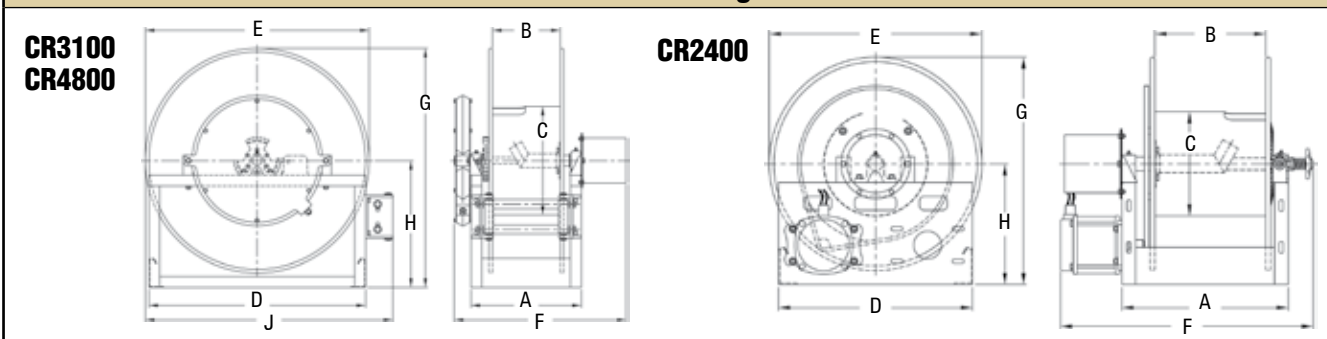
Series CR3100/CR4800 - Powered by a rugged spring protected by a tamperproof housing, a ratchet mechanism locks on payout of cable, but is easily disengaged with a pull to provide rewind.

Cable rollers: All models supplied with a 4-way roller guide assembly. Roller position must be specified. If not specified, bottom wind will be supplied. Can be supplied or installed, consult manufacturer.

Note: A hose/cable stop should be used to prevent damage to rollers and to permit adjustment of free cable length.

Many more sizes, from standard components, available on request. Consult manufacturer.

Dimensions Diagram



Gauge / No. of Conductors		16/3	14/3	12/3	10/3	8/3				Specifications - Cable Capacity and Reel Dimensions													
Cable O.D.		in	.375	.530	.580	.705	.750	1.000	1.250	1.500	"F" dimension based on three conductor slip ring												
		mm	10	13	15	18	19	25	32	38	Est. Weight	A	B	C	D	E	E PWR	F	F PWR	G	H	J	
Model		Cable Length																					
Spring Driven Reels																							
CR3100-23-4	ft	85	85	100	100	90					92 LB	in	9	4	15	21	23		18		24.5	13	26
	m	26	26	30	30	27					42 KG	mm	229	102	381	533	584		457		622	330	660
CR3100-25-4	ft	95	100	100	100	100					97 LB	in	9	4	15	21	25		18		26.5	14	27
	m	29	30	30	30	30					44 KG	mm	229	102	381	533	635		457		673	356	686
CR3100-31-4	ft	120	120	130	130	130					118 LB	in	9.25	4	20	30	31		19		33	17.5	34.5
	m	37	37	40	40	40					54 KG	mm	235	102	508	762	787		483		838	445	876
Hand Crank / Motor Driven Reels																							
CR2400-23-12	ft	1900	930	775	520	430	240	155	105		72 LB	in	18	12	11.25	21	23	23	29	29	24.5	13	
	m	579	283	236	158	131	73	47	32		33 KG	mm	457	305	286	533	584	584	737	737	622	330	
CR2400-31-8	ft	2700	1350	1100	750	660	360	185	135		79 LB	in	14	8	11.25	24	31	31	25	25	32.5	17	
	m	823	411	335	229	201	110	56	41		36 KG	mm	356	203	286	610	787	787	635	635	826	432	