

# REELCRAFT

*Wind Things Up With Reelcraft*



## Operating Instructions and Parts List for SERIES 10000 / 20000 Hand Crank Hose Reels

### INSTALLATION INSTRUCTIONS

#### MOUNTING

1. Inspect reel for shipping damage. Turn by hand to check for smooth operation. Check for completeness.
2. Position reel to mounting surface and secure into place, using four (customer supplied) screws or bolts (1).

#### CONNECTING HOSES

**WARNING:** Before performing the following steps, ensure that supply line pressure does not exceed maximum working pressure rating of reel.

**NOTE:** Apply pipe thread sealant to all threads.

1. Connect supply line to swivel/input shaft (2).  
It is recommended that a flexible hose connector be used to compensate for any offset between the supply line and swivel.

2. Route output hose through hose clamp (3).
3. Thread output hose fitting to swivel/street ell (4). Tighten securely.
4. Tighten hose clamp (3).
5. Fully extend and charge hose. Momentarily open control valve to purge hose of gases. When fluid appears at control valve, close valve. With hose still fully charged, rewind hose onto reel.

#### ADJUSTMENTS

##### REEL DRAG

Adjust reel drag by tightening or loosening brass set screw (5) (part #4), located on end of reel opposite swivel.

#### SERVICE INSTRUCTIONS

Maintain reel by following the service instructions given below. Refer all other repairs, other

than those listed, only to an authorized service person or directly to Reelcraft. Failure to do so can result in personal injury and/or equipment damage and may void the warranty.

**WARNING:** Bleed pressure from system before performing the following procedures.

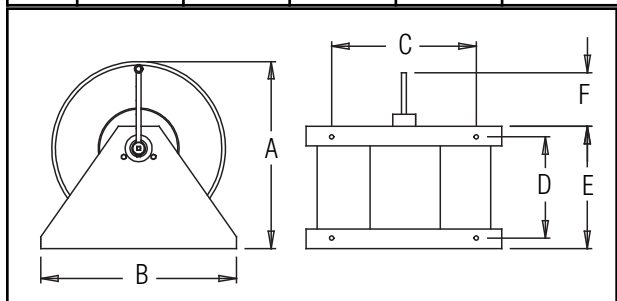
**NOTE:** When installing replacement hoses, apply pipe thread sealant to all threads.

#### REPLACING HOSES

1. Replace hoses in accordance with procedures given under "Connecting Hoses" in the Installation Instructions section.

### DIMENSIONAL DATA

	H16000	H26000			
	H18000	H28000			
	H19000	H29000		H28005	
	HS18000	HS28000		H29005	
	HS19000	HS29000	H18005	HS29005	H18006 M
<b>A</b>	19"	19"	20 1/8"	20 1/8"	20 1/8"
<b>B</b>	20"	20"	14"	14"	14"
<b>C</b>	15"	15"	10"	10"	10"
<b>D</b>	10"	16"	10"	16"	5 3/4"
<b>E</b>	12 1/2"	15 1/2"	12 1/2"	18 1/2"	8"
<b>F</b>	5 3/4"	5 3/4"	5 3/4"	5 3/4"	5 3/4"



### PERSONAL SAFETY

Personal injury and/or equipment damage may result if proper safety precautions are not observed.

- Ensure that reel is installed before connecting input and output hoses.
- Bleed connecting reel to supply line, ensure that pressure does not exceed maximum working pressure rating of reel.
- Remember, even low pressure is very dangerous and can cause personal injury or death.
- Be aware of machinery and personnel in work area.
- If a leak occurs in the hose or reel, remove system pressure immediately.
- Pull hose from reel by grasping the hose itself, not the control valve.
- Ensure that reel, hose and equipment being serviced are properly grounded. Use an ohmmeter to check ground continuity.
- If reel ceases to unwind or rewinding, remove system pressure immediately. Do not pull or jerk on hose!
- Treat and respect the hose as any other piece of machinery, observing all common safety practices.

### IMPORTANT

**READ THIS MANUAL CAREFULLY BEFORE INSTALLING,  
OPERATING, OR SERVICING THIS EQUIPMENT**



Wind Things Up With Reelcraft

**REELCRAFT - PART NUMBER IDENTIFICATION**

ITEM NO.	1		2		3	4	5	6	7		8	9	10
NO. REQ.	1				1	1	1	1	12	12	2	2	12
DESCRIPTION	Sq. Hd. Spt. set 3/8-16 x 3/8"	Snap ring 1 1/4" Dia.	No. Req.	Hub & Bushing Ass'y	Set Screw 3/8-16 x 1/2"	Lock Handle Ass'y	Spool Ass'y	Hex cap screw 1/4-20	Screw, self tapping 5/16-12 x 5/8"	Bearing hub	Set screw 3/8-16 x 1/2"	Nut, hex flange 1/4-20	
MODEL #													
<b>H16000</b>	300089	300007	4	S600640	300099	S280109	280101	None	S318-48	S600640	300006	None	
<b>H16000 M</b>	300089	300007	4	S600640	300099	S280109	280103	None	S318-48	S600640	300006	None	
<b>H16000 H</b>	300089	300007	4	S600640	300099	S280109	280103	None	S318-48	S600640	300006	None	
<b>H18000</b>	300089	300007	4	S600640	300099	S280109	280101	None	S318-48	S600640	300006	None	
<b>H18000 M</b>	300089	300007	4	S600640	300099	S280109	280103	None	S318-48	S600640	300006	None	
<b>H18005</b>	300089	300007	4	S600640	300099	S280109	280101	None	S318-48	S600640	300006	None	
<b>H18005 M</b>	300089	300007	4	S600640	300099	S280109	280103	None	S318-48	S600640	300006	None	
<b>H18006 M</b>	300089	300007	5	S600640	300099	S280109	600406	None	S318-48	S600640	300006	None	
<b>HS18000 M</b>	S57-600	S147-26	4	600640	S57-651	600146	600158	S45-42	None	600640	S47-53	S73-4	
<b>HS18000 M-S</b>	S57-600	S147-26	4	600640	S57-651	600146	600158	S45-42	None	600640	S47-53	S73-4	
<b>H19000</b>	300089	300007	5	S600640	300099	280109	280101	None	S318-48	S600640	300006	None	
<b>H19000 M</b>	300089	300007	5	S600640	300099	280109	280103	None	S318-48	600640	300006	None	
<b>HS19000 M</b>	S57-600	S147-26	5	S600666	S57-651	600146	600158	S45-42	None	260415	S47-53	S73-4	
<b>HS19000 M-S</b>	S57-600	S147-26	5	600640	S57-651	600146	600158	S45-42	None	600640	S47-53	S73-4	
<b>H26000</b>	300089	300007	4	S600640	300099	280109	280102	None	S318-48	S600640	300006	None	
<b>H26000 M</b>	300089	300007	4	S600640	300099	280109	280102	None	S318-48	S600640	300006	None	
<b>H26000 H</b>	300089	300007	4	S600640	300099	600146	280102	None	S318-48	S600640	300006	None	
<b>H28000</b>	300089	300007	4	S600640	300099	280109	280102	None	S318-48	S600640	300006	None	
<b>H28000 M</b>	300089	300007	4	S600640	300099	600146	280102	None	S318-48	S600640	300006	None	
<b>H28000 H</b>	300089	300007	4	S600640	300099	280109	280102	None	S318-48	S600640	300006	None	
<b>H28005</b>	300089	300007	4	600640	300099	280109	280102	None	S318-48	S600640	300006	None	
<b>HS28000 M</b>	S57-600	S147-26	4	600640	S57-651	280109	600147	S45-42	None	600640	S47-53	S73-4	
<b>HS28000 M</b>	S57-600	S147-26	4	600640	S57-651	280109	600147	S45-42	None	600640	S47-53	S73-4	
<b>H29000</b>	300089	300007	5	600640	300099	280109	280102	None	S318-48	S600640	300006	None	
<b>H29000 M</b>	300089	300007	5	600640	300099	280109	280102	None	S318-48	S600640	300006	None	
<b>H29005</b>	300089	300017	5	600640	300099	280109	280102	None	S318-48	S600640	300006	None	
<b>HS29000 M</b>	S57-600	300007	5	600640	S57-651	600146	600147	S45-42	None	600640	S47-53	S73-4	
<b>HS29000 M-S</b>	S57-600	300007	5	600640	S57-651	600146	600147	S45-42	None	600640	S47-53	S73-4	
<b>HS29005 M</b>	S57-600	S147-26	5	600640	S57-651	600146	600150	S45-42	None	600640	S47-53	S73-4	
<b>HS29005 M-S</b>	S57-600	S147-26	5	600640	S57-651	600146	600150	S45-42	None	600640	S47-53	S73-4	
<b>HS37000 M-S</b>	S57-600	S147-26	5	600640	S57-651	600146	600150	S45-42	None	600640	S47-53	S73-4	

\* 19000, 29000, 29005 series only.



Wind Things Up With Reelcraft

**REELCRAFT - PART NUMBER IDENTIFICATION**

ITEM NO.	11		12	13	14	15	16	17	18	19	20	21	22
NO. REQ.	1	1	1	1	1	2	4	4	2	2	2	1	1
DESCRIPTION	Shaft & street ell ass'y	Inlet Shaft	Swivel Ass'y	Solid Drive Shaft	Crank & Handle Ass'y	Side Support Panel	5/16-18 Lock Nut	5/16-18 x 1/2" Hex Screw	Cross Member	1/4-20 Nyloc Nut	Washer	U-bolt	Hub Bearing
MODEL #													
H16000	None	280007	S600886	280002	S600102	280000	300107	S2-51	280001	300070	300039	2-117440	S600640
H16000 M	None	280007-1	600157-3	280002	S600102	280000	300107	S2-51	280001	300070	300039	2-117440	S600640
H16000 H	None	280007-1	S600007	280002	S600102	280000	300107	S2-51	280001	300070	300039	3-117440	S600640
H18000	None	280007-1	S600923-2	280002	S600102	280000	300107	S2-51	280001	300070	300039	3-117440	S600640
H18000 M	None	280007-1	600300-2	280002	S600102	280000	300107	S2-51	280001	300070	300039	3-117440	S600640
H18005	None	280007-1	S600923-2	280002	S600102	260341	300107	S2-51	280001	300070	300039	3-117440	S600640
H18005 M	None	280007-1	600300-2	280002	S600102	260341	300107	S2-51	280001	300070	300039	3-117440	S600640
H18006 M	600408	None	S602033	280002	S600102	260341	300107	S2-51	260856	300070	300039	3-117440	S600640
HS18000 M	None	260384	600111-2	260385	S600148	260382	S73-5	S45-51	260416	S96-13	S108-4	260242	S600640
HS18000 M-S	None	260384	600111-2	260385	S600148	260382	S73-5	S45-51	260416	S96-13	S108-4	260242	S600640
H19000	600152	None	602026-2	280002	S600102	280000	300107	S2-51	280001	300070	300039	5-117440	S600640
H19000 M	600217	None	602026-2	280002	S600102	280000	300107	S2-51	280001	300070	300039	5-117440	S600640
HS19000 M	600154	None	S600091-2	260385	S600148	260382	S73-5	S45-51	260416	S96-13	S108-4	260388	S600640
HS19000 M-S	600154	None	S600091-2	260385	S600148	260382	S73-5	S45-51	260416	S96-13	S108-4	260388	S600640
H26000	None	280007	S600886	280002	S600102	280000	300107	S2-51	280014	300070	300039	2-117440	S600640
H26000 M	None	280007-1	600157-3	280002	S600102	280000	300107	S2-51	280014	300070	300039	2-117440	S600640
H26000 H	None	280007-1	S600007	280002	S600102	280000	300107	S2-51	280014	300070	300039	3-117440	S600640
H28000	None	280007-1	S600923-2	280002	S600102	280000	300107	S2-51	280014	300070	300039	3-117440	S600640
H28000 M	None	280007-1	S600300-2	280002	S600102	280000	300107	S2-51	260383	300070	300039	3-117440	S600640
H28000 H	None	280007-1	S600007	280002	S600102	280000	300107	S2-51	280014	300070	300039	3-117440	S600640
H28005	None	280007-1	600923-2	280002	S600102	260341	300107	S2-51	280014	300070	300039	3-117440	S600640
HS28000 M	None	260384	600111-2	260385	S600148	260382	S73-5	S45-51	260383	S96-13	S108-4	260242	S600664
HS28000 M-S	None	260384	600111-2	260385	S600148	260382	S73-5	S45-51	260383	S96-13	S108-4	260242	S600664
H29000	600152	None	602026-2	280002	S600102	280000	300107	S2-51	280014	300070	300039	5-117440	S600640
H29000 M	600217	None	602026-2	280002	S600102	280000	300107	S2-51	280014	300070	300039	5-117440	S600640
H29005	600152	None	602026	280002	S600102	260341	300107	S2-51	280014	300070	300039	5-117440	S600640
HS29000 M	600154	None	S600091-2	260385	S600148	260389	S73-5	S45-51	260383	S96-13	S108-4	260388	S600640
HS29000 M-S	600154	None	S600091-2	260385	S600148	260389	S73-5	S45-51	260383	S93-13	S108-4	260388	S600640
HS29005 M	600154	None	S600091-2	260385	S600148	260389	S73-5	S45-51	260383	S96-13	S108-4	260388	S600640
HS290005 M-S	600154	None	S600091-2	260385	S600148	260389	S73-5	S45-51	260383	S96-13	S108-4	260388	S600640
HS37000 M-S	600154	None	S600091-2	260385	S600148	260389	S73-5	S45-51	260383	S96-13	S108-4	260388	S600640

\* 16000, 18000, 18005, 26000, 28000 & 28005 series only.

**REELCRAFT - PART NUMBER IDENTIFICATION (CONT.)**

