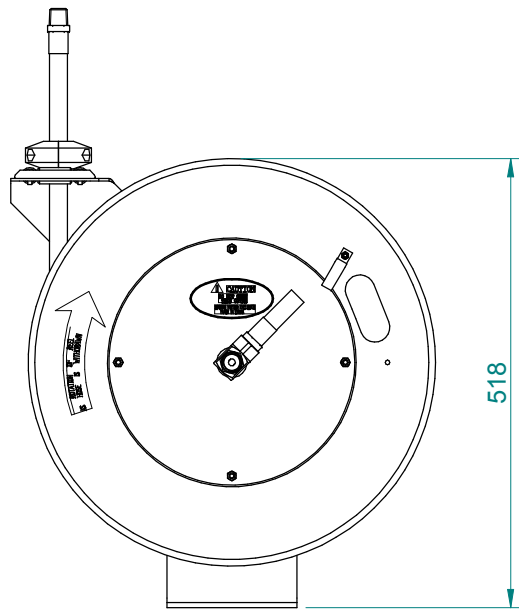
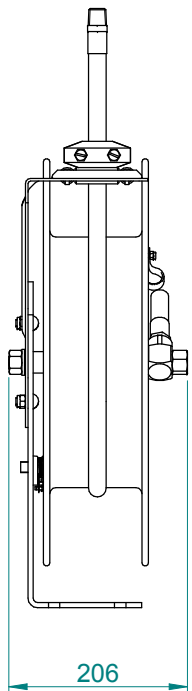


| LTR | DESCRIPTION | DATE | ECN |
|-----|-------------|----------|-----|
| A1 | NEW RELEASE | 17/07/27 | X |
| | | | |
| | | | |

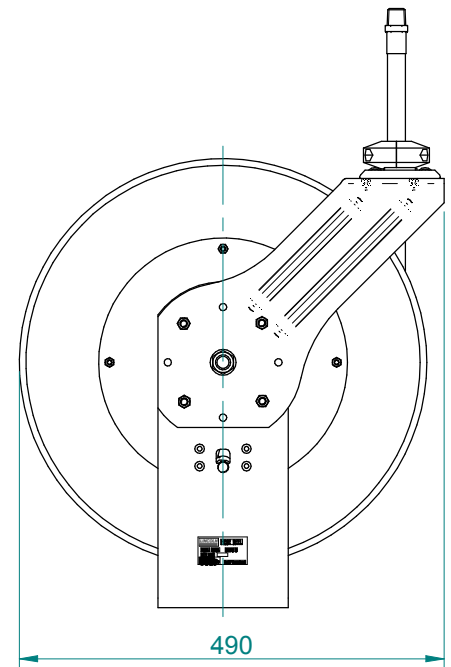
LC650 OMP



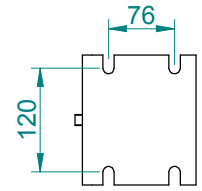
518



206



490



安装尺寸

| | | | |
|---|---|--|--|
| REELCRAFT ASSY NONE NONE 11.618 kg | DIMENSIONS NOTED: DIMENSIONS ARE IN mm TOL-ANGLES TO DIN 9135 T14 FRACTIONS REF TO ISO 5201 DIMENSIONS NOT TO EXCEED 0.30 MACH SURFACES ARE 0.05 | REELCRAFT HOSE REEL ASSY 2017/07/27 THIS MATERIAL IS OWNED BY REELCRAFT (CHANGZHOU) CO., LTD. AND IS NOT TO BE REPRODUCED OR DISTRIBUTED WITHOUT WRITTEN PERMISSION | 001 001 002 001 003 001 004 001 005 001 006 001 007 001 008 001 009 001 010 001 011 001 012 001 013 001 014 001 015 001 016 001 017 001 018 001 019 001 020 001 021 001 022 001 023 001 024 001 |
|---|---|--|--|